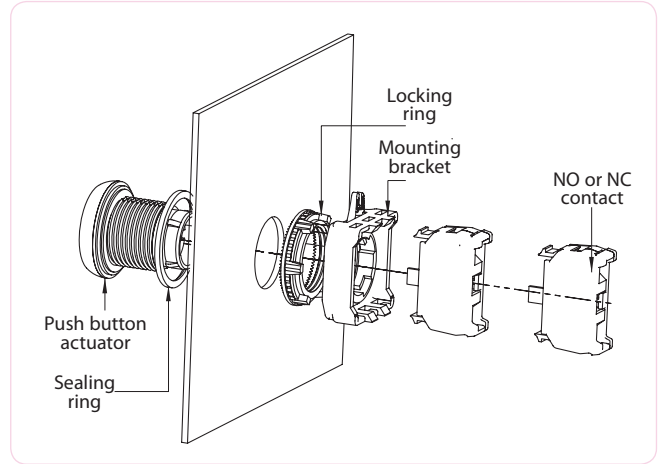
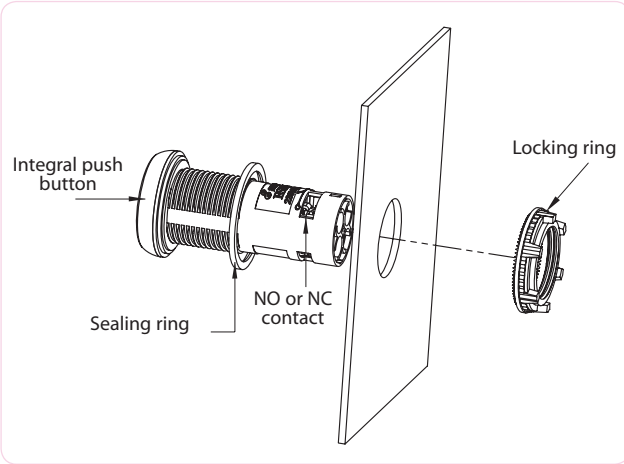
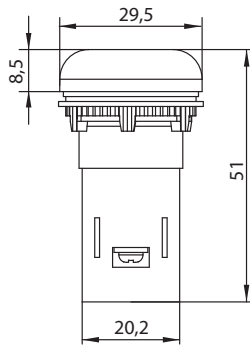


Technical data

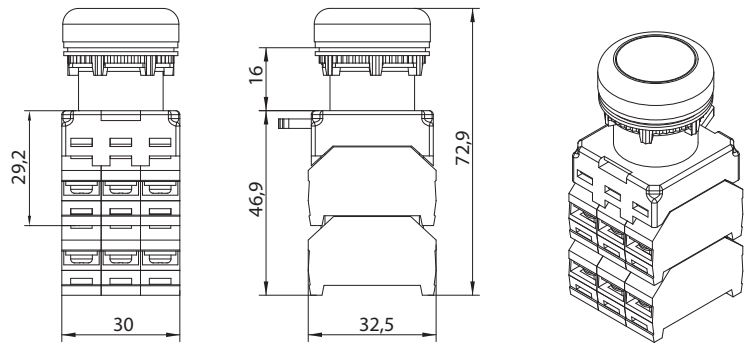
Mounting possibilities



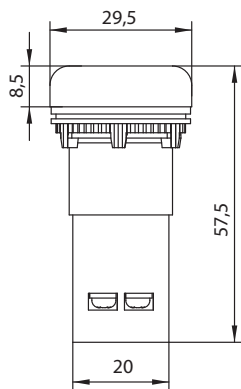
LED indicator



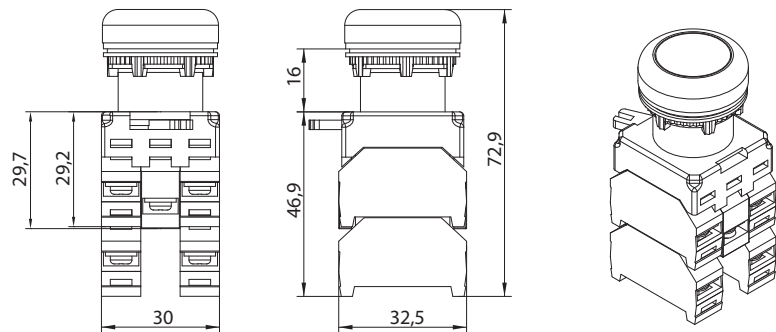
Push button actuator with 3 contacts in first row + 3 contacts in second row



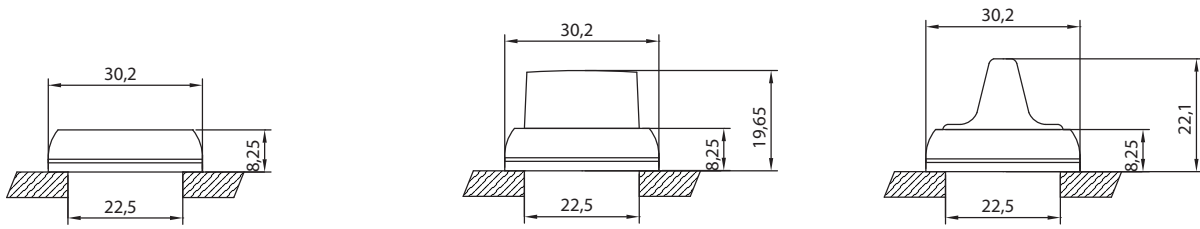
Integral push button



Push button actuator with 4 contacts and one LED holder



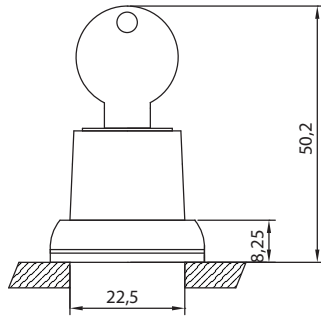
To one push button actuator can be applicated 3 contacts or 2 contacts and one LED holder (in one row of accessories)
 To one push button actuator can be applicated 6 contacts or 4 contacts and one LED holder (in two rows of accessories)



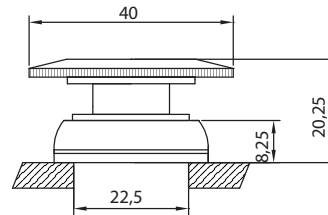
Flush head push button actuator

Projecting head push button actuator

Napęd pokrętny piórkciem



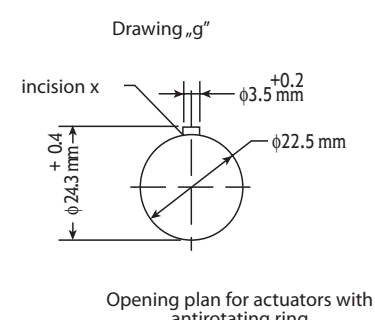
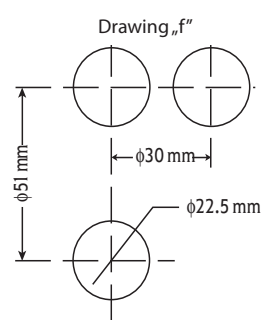
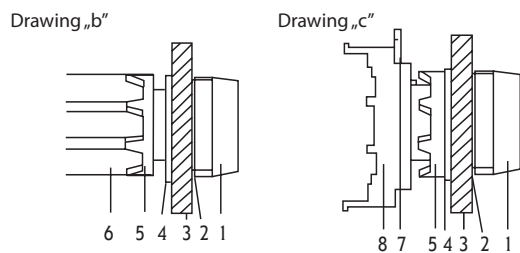
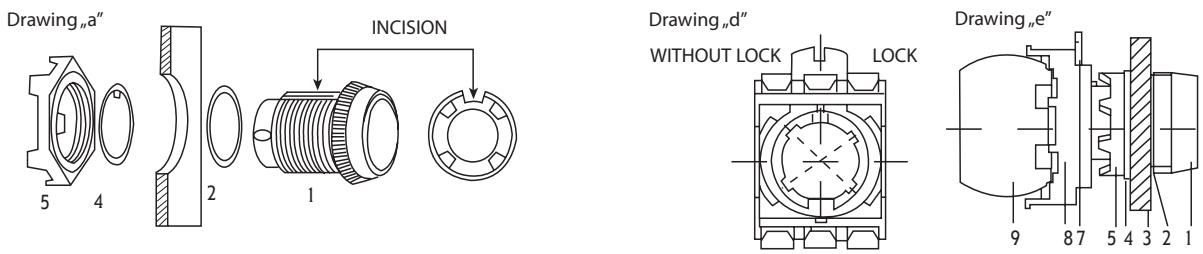
Key actuator



Mushroom head actuator

Above drawings apply to both Integral pushbuttons and pushbutton actuators.

Mounting holes for modular block assemblies



Openings plan for more than one actuator

Opening plan for actuators with antirotating ring

- 1) Drawing a and b - unscrew locking ring (5) from actuator (1)
- 2) Mount actuator with sealing ring (2) in mounting panel openings
- 3) Place antirotating ring (4) with incision on actuator and slide it to the opening with x incision according to drawing g
- 4) Using a fixing device (6) tighten locking ring
- 5) Drawings c and d - switch locking ring (7) for first mounting bracket in OPEN position
- 6) Slide first mounting bracket. Check if mounting bracket is oriented according to incision on actuator
- 7) Switch locking ring in CLOSED position
- 8) Drawing e - mount contacts or LED holders to the mounting bracket by latching them on the bracket

LS LED indicators

Technical data	
Operating voltage	230 V AC (with 230 V AC voltage - cord in lamps light colour)
Power consumption	1,0 W
Power cord	LGY 0,5 mm ² or terminal connectors for lamps $\varphi=10$ mm i $\varphi=20$ mm
Protection class	IP 20
Lamps are manufactured in various sizes	5 mm miniature, 10 mm medium, 20 mm giant
Colour	G - green, R - red, Y - yellow

